

# TOF-5462BS-1N

## Four Digit Display LED

Part Number	Chip		Face Color	Segment Color
	Material	Source Color		
TOF-5462BS-1N	GaAlAs	Super red	Gray	White

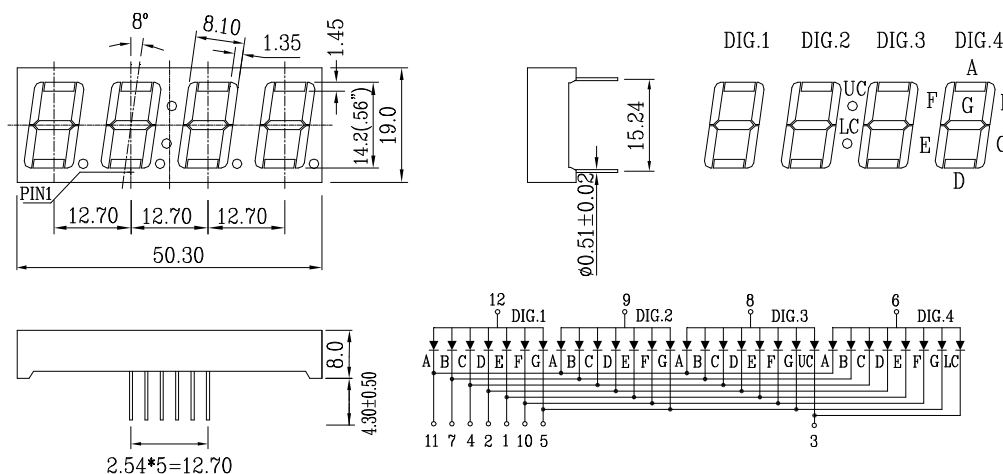
### Features

- (0.56") 14.20mm digit height
- Common anode
- I.C. compatible
- Low power requirement
- RoHS compliant

### Applications

- Audio equipment
- Instrument panels
- Digital read out display

### Package Dimensions & Internal Circuit Diagram



#### Notes:

1. All dimensions are in millimeters, tolerance:  $\pm 0.25$  ; Angle:  $\pm 0.1^\circ$  unless otherwise noted.
2. Specifications are subject to change without notice.

### Absolute Maximum Rating @ Ta=25°C

Parameter	Maximum Rating	Unit
Peak Forward Current (1/10 Duty Cycle, 0.1ms Pulse Width)	80	mA
Power Dissipation	75	mW
Continuous Forward Current	20	mA
Recommend Operating Current	12	mA
Reverse Voltage	5	V
Operating Temperature Range	-25°C to +85°C	
Storage Temperature Range	-30°C to +85°C	
Lead-Free Solder Temperature (1/16 Inch Below Seating Plane)	260°C for 3 Sec	

### Electrical / Optical Characteristic @ Ta=25°C

Parameter	Symbol	Min.	Typ.	Max.	Unit	Test Condition	Grade
Luminous Intensity	I <sub>v</sub>		15524		ucd	I <sub>F</sub> =10mA	
Peak Wavelength	λ <sub>p</sub>		660		nm	I <sub>F</sub> =20mA	
Spectral Line Half-Width	Δλ		20		nm	I <sub>F</sub> =20mA	
Forward Voltage	V <sub>F</sub>	1.7	1.8	2.0	V	I <sub>F</sub> =20mA	
Reverse Current	I <sub>R</sub>			20	μA	V <sub>R</sub> =5V	
Luminous Intensity Matching Rate	I <sub>v</sub> -m			1.5:1		I <sub>F</sub> =20mA	